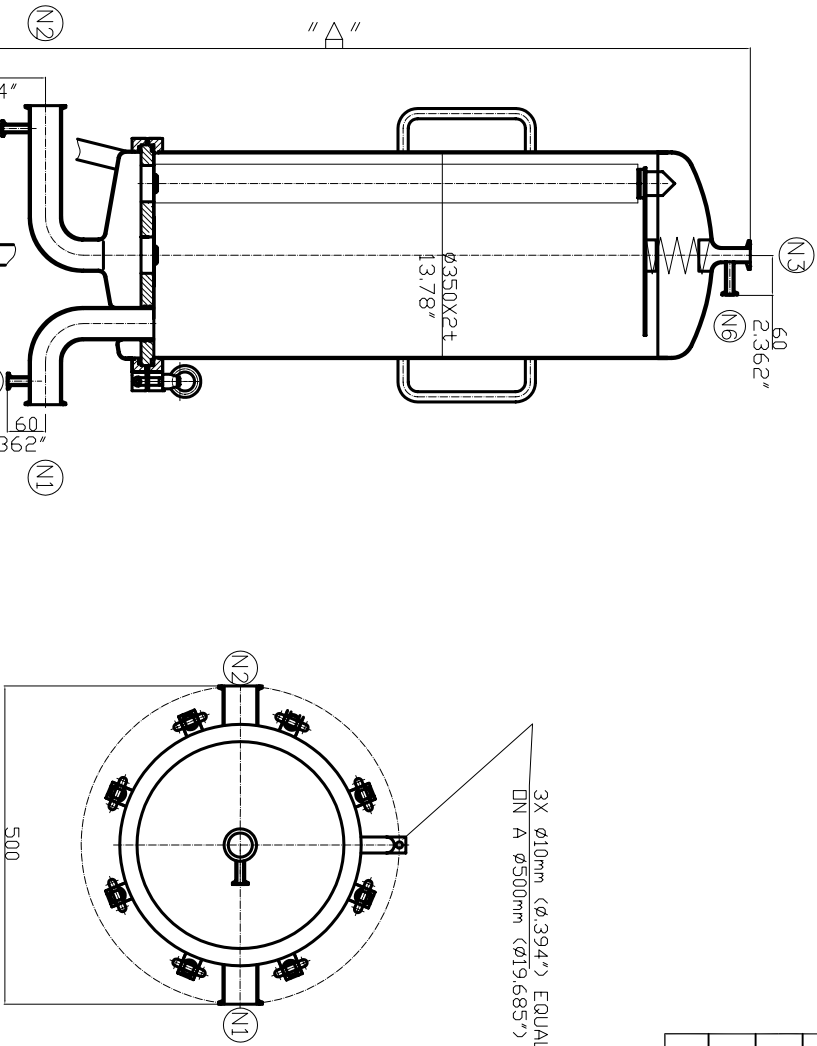


DIMENSIONS & SANITARY PIPE CONNECTIONS						
"A"	NO.	NAME	PORT SIZE	QTY	MATERIAL	STYLE
10" - 31.6"	N1	INLET	3"	1	316L	CLAMP
20" - 41.6"	N2	OUTLET	3"	1	316L	CLAMP
30" - 51.6"	N3	GAUGE PORT	1"	1	316L	CLAMP
40" - 61.6"	N4/N5	DRAIN PORTS	0.5"	1	316L	CLAMP
	N6	VENT PORT	0.5"	1	316L	CLAMP

HOUSING SPECIFICATIONS	
DESIGNED PRESSURE (PSIG)	195
OPERATING PRESSURE (PSIG)	150
OPERATING TEMP (°C)	110



- TECHNICAL PARAMETERS**
1. THIS APPARATUS MEETS GMP STANDARD
 2. ALL WELD-SEAMS ARE ARGON WELDED
 3. MAXIMUM CORROSION RESISTANCE
 4. SURFACE FINISH: 400# MACHINE POLISH-PASSIVATE-ELECTROPOLISH ALL SURFACES.
 5. MATERIAL: 316L

ITEM	QTY	LIST OF MATERIAL	NUMBER
ACAD FILE # CSH12.DWG			
UNLESS OTHERWISE SPECIFIED			
All dimensions are in inches. Remove all burrs and break sharp edges. Tolerances:			
Decimals: .XX ± .01			
.XXX ± .005			
Angles ± 1°			
Surface Roughness: $\sqrt{3.2}$			
DO NOT SCALE PRINT			
MATERIALS		SURFACE TREATMENT	
This drawing and the data contained hereon are confidential and the property of U.S.A. Life Sciences, Inc. No part of this drawing or its reproduction, in whole or in part, may be used for critical process equipment without the written consent of U.S.A. Life Sciences, Inc.			
DRAWN BY	DATE	TITLE	
BMD/DN	3/08	CRITICAL PROCESS FILTRATION, INC	
CHEK BY	DATE	NASHUA, NH	
APPD BY	DATE	WWW.CRITICALPROCESS.COM	
APPD BY	DATE	PH: 603-880-4420	
APPD BY	DATE	SALES DRAWING	
APPD BY	DATE	12 ROUND	
APPD BY	DATE	SANITARY T-STYLE	
RELEASE	DATE	SIZE	REV
		D	-