

# 4 & 5 CIH Swing Bolt Closure Housings

## Installation & Operation Instructions

### Including Housing Diagram & Spare Parts List

### Receipt of Equipment

Carefully unpack and make sure all items have been received, some items are packaged individually for final assembly by the customer. Do not discard any packing material until the housings and filters are installed and operating properly. Read this installation and operating instruction sheet thoroughly prior to starting product installation. Housings are supplied without cartridges installed.

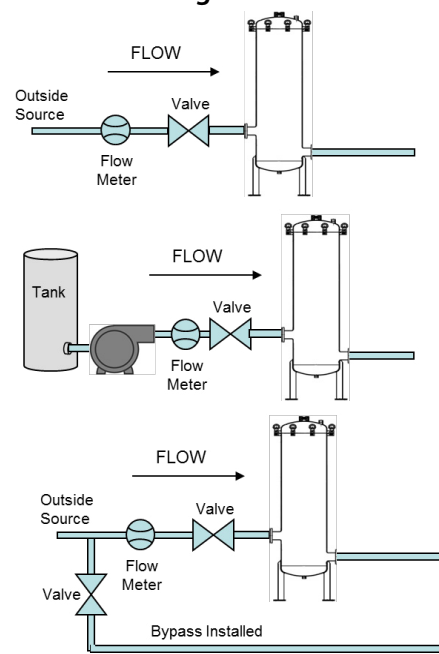
### Installation Precautions

1. The installer must have a sound working knowledge of standard plumbing practices and methods. Otherwise, the installation should be done by a plumbing professional.
2. Bolt housing tabs or legs to a permanent base to provide stability during pipe-work installation and filter cartridge replacement. Allow clearance for installation and removal of cartridges.
3. The installation must comply with existing state and local plumbing codes.
4. Install the filter housing after the tank or flow meter, if applicable, as shown in the Typical Installations figure.
5. Shut-off valves should be installed before and after the filter housing. This isolates the filter to allow for cartridge changes.
6. It is recommended to install union couplings before and after the filter housing to facilitate filter installation and removal.
7. Never attempt to loosen the swing bolts without first relieving pressure from the housing. Failure to do so may result in serious injury.
8. Do not install this filter housing where line pressure may exceed the products rated service pressure of 150 psi (10 bar).
9. Do not install this filter where fluid will freeze, or where the fluid temperature may exceed the products rated service temperature of 300°F (149°C).

### Installation Steps

1. Before cutting into piping and making any connections shut off water flow and relieve pressure from the system.
2. Identify the flow direction markings on the housing and align all line connections, making sure not to hook up the filter housing backwards.
3. Assemble appropriate fittings needed to make all connections between the filter housing and the system. Dry assemble the parts first to be sure of fit.
4. When installing DOE elements, place cartridges in the housing over the cartridge post and onto the cartridge pedestals. Next install the spring and seal assemblies directly on top of each cartridge. Install the hold down plate on top of the springs and cartridges, securing with the hold down knob.
5. When installing SOE/2-222 elements remove the v-posts and spring and seal assemblies and store in a safe secure place for future use. Wet cartridge o-rings with fluid to be filtered or a compatible lubricate. Position cartridges into the cartridge cups by applying a downward twisting motion until the cartridges are seated. Install the hold down plate on top of the cartridges securing with the hold down knob.
6. Lubricate the cover seal with compatible lubricant and secure the cover firmly to the housing using the swing bolts. Tighten the swing bolts with equal torque.
7. Remove the vent plug. Open the upstream valve slowly to allow water to fill the housing and force trapped air out the vent. Once the water level reaches the vent port, close the upstream valve and tighten the vent plug.
8. Open the upstream valve and check the pressurized system for leaks. Retighten connections if necessary. The unit is then ready for service.

**Figure 1 – Typical Installation Configurations**

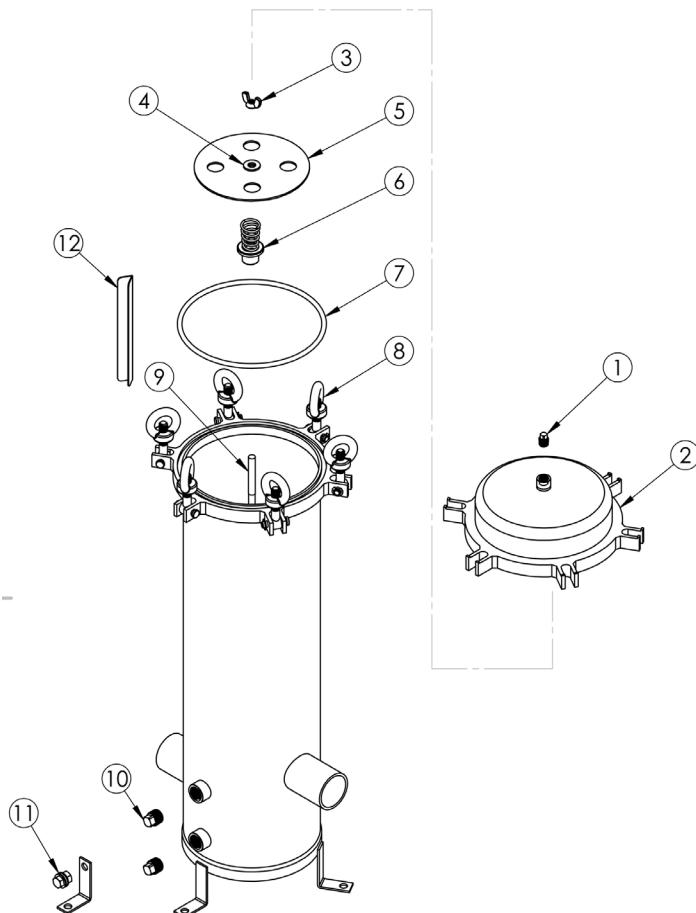


## Cartridge Replacement

**CAUTION: Do not at any time remove or loosen the swing bolts before venting and relieving all fluid pressure. Failure to remove system pressure may result in serious personal injury.**

1. Replace filter cartridges when there is a noticeable loss of fluid pressure or if cartridge performance has diminished.
2. Close the valves upstream and downstream of filter housing. Slowly open the cover vent to relieve system pressure from the housing. Open the inlet and outlet drain ports to drain water from housing.
3. When filter housing is drained, loosen and disengage the swing bolts. Remove the cover and secure it in a safe place.
4. Remove stainless wing nuts from the tie rod(s), lift hold down plate off the tie rod(s) and secure in a safe place.
5. Clean and inspect all housing parts with particular attention to housing cover o-ring or gasket. Replace any damaged or worn parts.
6. Replace the used filter cartridges with new cartridges and follow steps 4 through 8 of the installation steps found on the first page.

## Spare Parts List



Spare Parts List and Part Numbers					
#	Description	10" Ctgs	20" Ctgs	30" Ctgs	40" Ctgs
1	Vent Plug (1/4" NPT)	CIH-72057			
2	Cover/Lid	CIH-72027SB			
3	Knob/Wing Nut 3/8"	CIH-72071			
4	Bushing with C-Clip	CIH-79002			
5	Hold Down Plate Assy	CIH-72041 (4-Round)	CIH-72043 (5-Round)		
6	Spring & Seal Assy	CIH-72073			
7	O-Ring/Gasket	CIH-72096SB			
8	Swing Bolt Assy	CIH-72216SB			
9	Center Rod	CIH-72061	CIH-72062	CIH-72063	CIH-72064
10	Drain Plug 1/2" NPT	CIH-72059			
11	Tab Kit (Qty 3)	CIH-72080			
12	Cartridge V-Post	CIH-72052	CIH-72053	CIH-72054	CIH-72055

Visit our [website](#) for information on filters or [contact us](#) for more information on installation procedures.



### Critical Process Filtration, Inc.

One Chestnut Street • Nashua, NH 03060  
Tel: 603.880.4420 • Fax: 603.880.4536

[criticalprocess.com](http://criticalprocess.com) • [sales@criticalprocess.com](mailto:sales@criticalprocess.com)

The information contained herein is subject to change without notice.

The Critical Process Filtration logo is a trademark of Critical Process Filtration, Inc.

© 1998-2016 Critical Process Filtration, Inc. • All Rights Reserved • Instructions CIH45INST0316 Rev-