

CIH Series Filter Housings

12 & 21 Round Housings with Swing Bolt Closure



CIH multiple cartridge housings with swing bolt closures are a proven design for commercial and industrial applications. Available in 304 SS or 316L SS, all CIH housings are designed with universal cartridge cups, allowing you to use DOE style cartridges or 2-222 SOE cartridges with fin or flat end. This gives you one housing that can meet both your nominal and absolute filtration needs and allows quick cartridge changeouts. CIH 12- and 21-round housings have flanged inlet and outlet ports and EP gaskets as standard, but are also available with other port designs and gasket materials. CIH 12- and 21-round housings are supplied with welded legs and an operations manual. Standard surface finish is #320 machined, polished and passivated.

Standard Specifications

This is to give you an overview of our standard product, please see options on reverse with ordering information.

Model	Number Round	Cartridge Length	Standard Inlet/Outlet	Drain with Plug	Vent with Plug	Max Cartridge Diameter	Standard Gasket	Mounting Legs	Lifting Davit	Estimated Ship Weight
CIH122	12	19 1/2" to 20"	3" RFF	3/4" FPT	1/2" FPT	2 3/4"	EP	Yes	Yes	161 lbs
CIH123	12	29 1/4" to 30"	3" RFF	3/4" FPT	1/2" FPT	2 3/4"	EP	Yes	Yes	172 lbs
CIH124	12	39" to 40"	3" RFF	3/4" FPT	1/2" FPT	2 3/4"	EP	Yes	Yes	190 lbs
CIH212	21	19 1/2" to 20"	4" RFF	3/4" FPT	1/2" FPT	2 3/4"	EP	Yes	Yes	249 lbs
CIH213	21	29 1/4" to 30"	4" RFF	3/4" FPT	1/2" FPT	2 3/4"	EP	Yes	Yes	260 lbs
CIH214	21	39" to 40"	4" RFF	3/4" FPT	1/2" FPT	2 3/4"	EP	Yes	Yes	285 lbs

Standard Features

- ◆ All seams are argon welded for maximum corrosion resistance.
- ◆ Standard surface finish is #320 machine polished and passivated. Welds are ground smooth
- ◆ The CIH swing bolt housings are built to ASME and GMP standards.
- ◆ All swing bolt hardware is stainless steel components.

Maximum Operating Parameters

Operating Pressure150 psi (10 bar)

Operating Temperature 300°F (149°C)

Flow Rates¹

Model	Number Round	Nominal Cartridge Length	Water Flow @ 1 micron*	Water Flow @ 10 micron**
CIH122	12	20"	72 gpm	168 gpm
CIH123	12	30"	108 gpm	252 gpm
CIH124	12	40"	144 gpm	336 gpm
CIH212	21	20"	126 gpm	293 gpm
CIH213	21	30"	189 gpm	440 gpm
CIH214	21	40"	252° gpm	588 gpm

* Based on a 1 micron GDMB melt blown cartridge at less than 2 psid clean pressure drop.
 ** Based on a 10 micron GDMB melt blown cartridge at less than 2 psid clean pressure drop.
¹ Note: Flows will vary based on fluid filtered, viscosity, temperature, micron selection and cartridge type. This is to be used as a guideline only.

Total Performance

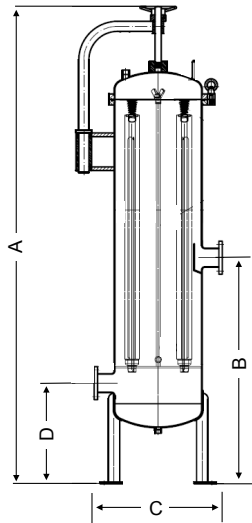
Critical Process Filtration, Inc. is a vertically integrated manufacturer of filtration products to industries in which filtration is considered a critical part of the manufacturing process. We supply a complete line of products and services to help you cost effectively satisfy all your filtration requirements from a single source.

Dimensions

For planning purposes. Complete and detailed line drawings are available upon request. Please contact Critical Process Filtration with the model number for the appropriate drawing.

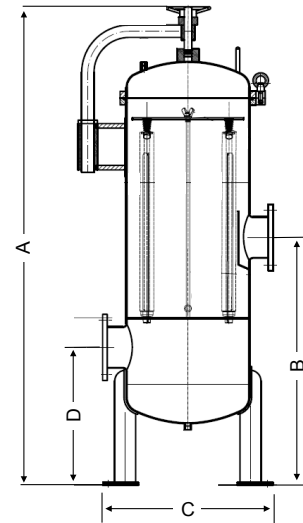
CIH Series 12-Round Housings

Model	Nominal Cartridge	Overall Length (A)	Inlet Height (B)	Inlet to Outlet Length (C)	Outlet Height (D)
CIH122	20	56.77"	35.43"	20.46"	15.75"
CIH123	30	66.77"	35.43"	20.46"	15.75"
CIH124	40	76.77"	35.43"	20.46"	15.75"



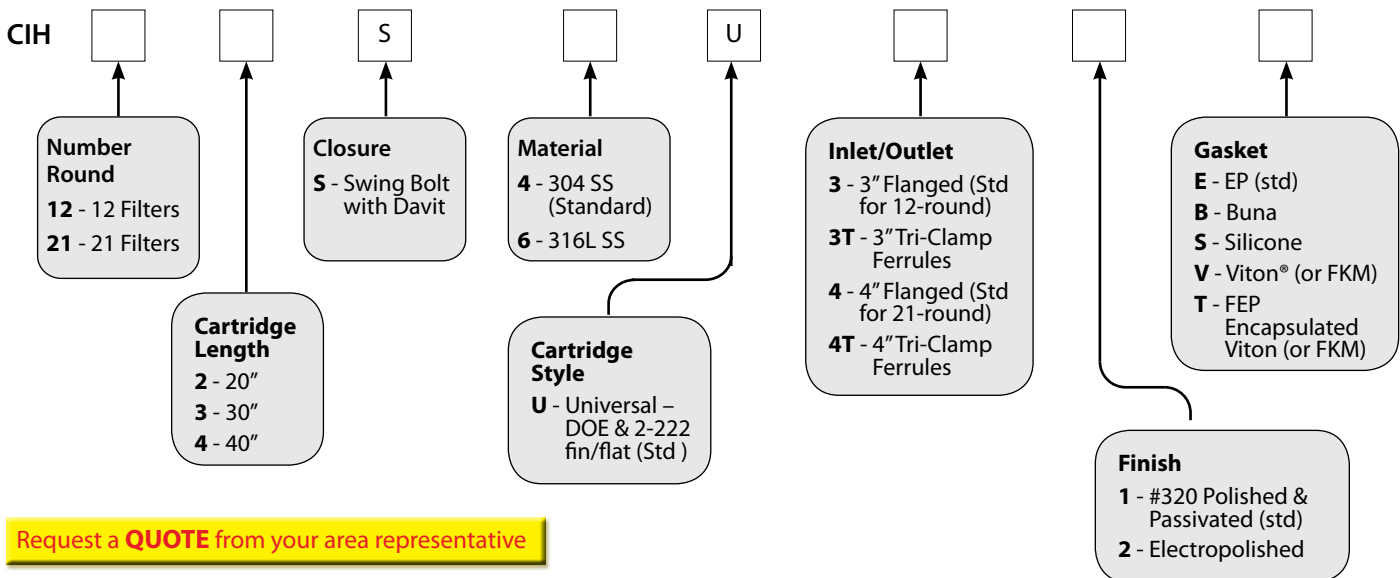
CIH Series 21-Round Housings

Model	Nominal Cartridge	Overall Length (A)	Inlet Height (B)	Inlet to Outlet Length (C)	Outlet Height (D)
CIH212	20	56.77"	35.43"	24.4"	19.68"
CIH213	30	67.71"	35.43"	24.4"	19.68"
CIH214	40	77.71"	35.43"	24.4"	19.68"



Ordering Information

The housing catalog number is made up of several variable characters i.e. number round, length, material, port size, gasket material and others below. For example: Industrial Filter Housing, 12-Round, for 30" Filter Cartridge Length, Swing Bolt Closure with Davit, 304 SS Construction, Universal Filter Connections, 3" Flanged Inlet/Outlet, 320 Polished & Passivated, EP Gasket = CIH123S4U31E.



Request a **QUOTE** from your area representative



Critical Process Filtration, Inc.

One Chestnut Street • Nashua, NH 03060
Tel: 603.880.4420 • Fax: 603.880.4536

criticalprocess.com • sales@criticalprocess.com

The information contained herein is subject to change without notice.

The Critical Process Filtration logo is a trademark of Critical Process Filtration, Inc.

Viton is a trademark of DuPont Performance Elastomers L.L.C.

© 2011-2015 Critical Process Filtration, Inc. • All Rights Reserved • Data Sheet CIH12-21DS0112 Rev-