

CIH Series Filter Housings

36, 52 & 80 Round Housings with Swing Bolt Closure



CIH multiple cartridge housings with swing bolt closures are a proven design for commercial and industrial applications. Available in 304 SS or 316L SS, all CIH housings are designed with universal cartridge cups, allowing you to use DOE style cartridges or 2-222 SOE cartridges with fin or flat end. This gives you one housing that can meet both your nominal and absolute filtration needs and allows quick cartridge changeouts. CIH housings have flanged inlet and outlet ports and EP gaskets as standard, but are also available with other port designs and gasket materials. CIH housings will meet a wide spectrum of applications. Standard CIH housings are supplied with welded legs and an operations manual. Standard surface finish is #320 machined, polished and passivated.

Standard Specifications

This is to give you an overview of our standard product, please see options on reverse with ordering information.

Model	Number Round	Cartridge Length	Standard Inlet/Outlet	Drain with Plug	Vent with Plug	Max Cartridge Diameter	Standard Gasket	Mounting Legs	Lifting Davit	Estimated Ship Weight
CIH363	36	29 1/4" to 30"	6" RFF	3/4" FPT	1/2" FPT	2 3/4"	EP	Yes	Yes	341 lbs
CIH364	36	39" to 40"	6" RFF	3/4" FPT	1/2" FPT	2 3/4"	EP	Yes	Yes	395 lbs
CIH523	52	29 1/4" to 30"	6" RFF	3/4" FPT	1/2" FPT	2 3/4"	EP	Yes	Yes	563 lbs
CIH524	52	39" to 40"	6" RFF	3/4" FPT	1/2" FPT	2 3/4"	EP	Yes	Yes	611 lbs
CIH803	80	29 1/4" to 30"	8" RFF	3/4" FPT	1/2" FPT	2 3/4"	EP	Yes	Yes	Call
CIH804	80	39" to 40"	8" RFF	3/4" FPT	1/2" FPT	2 3/4"	EP	Yes	Yes	Call

Standard Features

- ◆ All seams are argon welded for maximum corrosion resistance.
- ◆ Standard surface finish is #320 machine polished and passivated. Welds are ground smooth
- ◆ The CIH swing bolt housings are built to ASME and GMP standards.
- ◆ All swing bolt hardware is stainless steel components.

Maximum Operating Parameters

Operating Pressure150 psi (10 bar)
Operating Temperature 300°F (149°C)

Flow Rates¹

Model	Number Round	Nominal Cartridge Length	Water Flow @ 1 micron*	Water Flow @ 10 micron**
CIH363	36	30"	324 gpm	648 gpm
CIH364	36	40"	432 gpm	864 gpm
CIH523	52	30"	468 gpm	936 gpm
CIH524	52	40"	624 gpm	1248 gpm
CIH803	80	30"	720 gpm	1440 gpm
CIH804	80	40"	960 gpm	1920 gpm

* Based on a 1 micron GDMB melt blown cartridge at less than 2 psid clean pressure drop.
 ** Based on a 10 micron GDMB melt blown cartridge at less than 2 psid clean pressure drop.
¹ Note: Flows will vary based on fluid filtered, viscosity, temperature, micron selection and cartridge type. This is to be used as a guideline only.

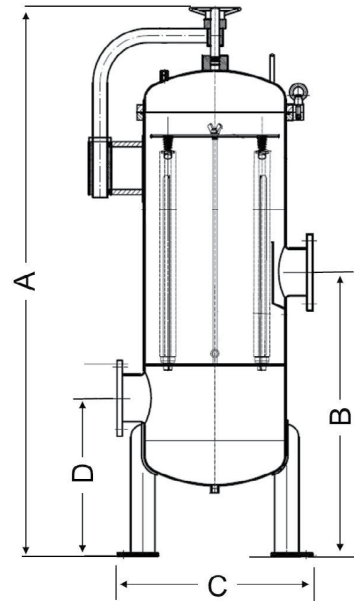
Total Performance

Critical Process Filtration, Inc. is a vertically integrated manufacturer of filtration products to industries in which filtration is considered a critical part of the manufacturing process. We supply a complete line of products and services to help you cost effectively satisfy all your filtration requirements from a single source.

Dimensions

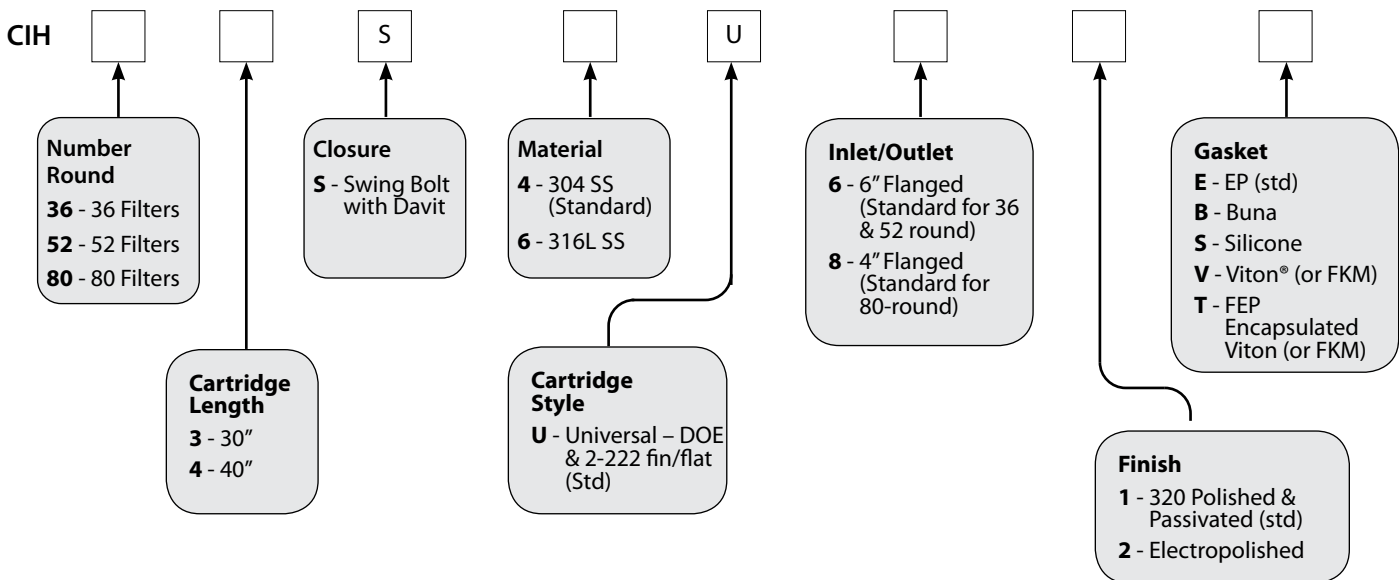
For planning purposes. Complete and detailed line drawings are available upon request. Please contact Critical Process Filtration with the model number for the appropriate drawing.

Model	Nominal Cartridge	Overall Length (A)	Inlet Height (B)	Inlet to Outlet Length (C)	Outlet Height (D)
CIH363	30"	72.68"	39.37"	28.34"	19.68"
CIH364	40"	82.68"	39.37"	28.34"	19.68"
CIH523	30"	74.65"	39.37"	32.28"	19.68"
CIH524	40"	84.65"	39.37"	32.28"	19.68"
CIH803	30"	80.55"	39.37"	38.58"	23.62"
CIH804	40"	90.55"	39.37"	38.58"	23.62"



Ordering Information

The housing catalog number is made up of several variable characters i.e. number round, length, material, port size, gasket material and others below. For example: Industrial Filter Housing, 36-Round, for 40" Filter Cartridge Length, Swing Bolt Closure with Davit, 304 SS Construction, Universal Filter Connections, 6" Flanged Inlet/Outlet, 320 Polished & Passivated, EP Gasket = CIH364S4U61E.



Request a **QUOTE** from your area representative



Critical Process Filtration, Inc.

One Chestnut Street • Nashua, NH 03060
Tel: 603.880.4420 • Fax: 603.880.4536

criticalprocess.com • sales@criticalprocess.com

The information contained herein is subject to change without notice.

The Critical Process Filtration logo is a trademark of Critical Process Filtration, Inc.

Viton is a trademark of DuPont Performance Elastomers L.L.C.

© 2011-2015 Critical Process Filtration, Inc. • All Rights Reserved • Data Sheet CIH36-52-80DS0112 Rev-