

CIH Series Filter Housings

7 Round Housings with Swing Bolt Closure



CIH multiple cartridge housings with robust swing bolt closure are a proven design for commercial and industrial applications. Available in 304 SS or 316L SS, all CIH housings are designed with universal cartridge cups, allowing you to use DOE or 2-222 SOE style cartridges with fin or flat end. This gives you one housing that can meet both your nominal and absolute filtration needs and allows quick cartridge change outs. CIH 7-round housings have 2" MNPT ports and EP gaskets as standard, but are also available with other port designs and gasket materials. CIH housings will meet a wide spectrum of applications. Every housing is supplied with a mounting tab kit and operations manual.

Standard Features

- ◆ Robust swing bolt closure design
- ◆ Universal configuration – fits DOE and/or 2-222 fin or flat cartridge types
- ◆ Universal cups are 100% back welded to guarantee a no-bypass seal
- ◆ Mounting tab kit: Included with every housing
- ◆ Ethylene propylene gasket for operation at up to 300°F
- ◆ Bead blast finish
- ◆ Hold down knob is stainless steel wing nut
- ◆ Shipped with operations and spare parts manual

Flow Rates¹

Model	Number Round	Nominal Cartridge Length	Water Flow @ 1 micron*	Water Flow @ 10 micron**
CIH71	7	10"	21 gpm	52 gpm
CIH72	7	20"	42 gpm	105 gpm
CIH73	7	30"	63 gpm	148 gpm
CIH74	7	40"	84 gpm	168 gpm

* Based on a 1 micron GDMB melt blown cartridge at <2 psid clean pressure drop.

** Based on a 10 micron GDMB melt blown cartridge at <2 psid clean pressure drop.

¹ Note: Flows will vary based on fluid filtered, viscosity, temperature, micron selection and cartridge type. This is to be used as a guideline only.

Maximum Operating Parameters

Operating Pressure150 psi (10 bar)

Operating Temperature 300°F (149°C)

Standard Specifications

This is to give you an overview of our standard product, please see options on reverse with ordering information.

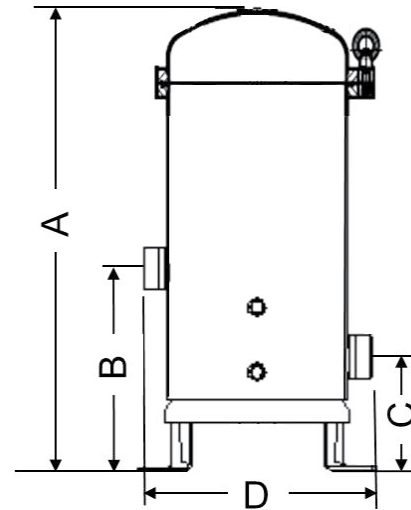
Model	Number Round	Cartridge Length	Standard Inlet/Outlet	Drain with Plug	Vent with Plug	Max Cartridge Diameter	Standard Gasket	Mounting Legs	Universal Cartridge Seal	Estimated Ship Weight	Shipping Box Dimensions (inches)
CIH71	7	9 ¾" to 10"	2" MPT	½" FPT	¼" FPT	2 ¾"	EP	Yes	Yes	42 lbs	19x19x25
CIH72	7	19 ½" to 20"	2" MPT	½" FPT	¼" FPT	2 ¾"	EP	Yes	Yes	53 lbs	19x19x35
CIH73	7	29 ¼" to 30"	2" MPT	½" FPT	¼" FPT	2 ¾"	EP	Yes	Yes	62 lbs	19x19x45
CIH74	7	39" to 40"	2" MPT	½" FPT	¼" FPT	2 ¾"	EP	Yes	Yes	72 lbs	19x19x55

Dimensions

For planning purposes. Complete and detailed line drawings are available upon request. Please contact Critical Process Filtration with the model number for the appropriate drawing.

Model	Overall Height (A)	Inlet Height (B)	Outlet Height (C)	Inlet to Outlet Length (D)
CIH71	25"	10 1/2"	6"	12 1/2"
CIH72	35"			
CIH73	45"			
CIH74	55"			

Note - Height values do not include standard mounting tabs or optional legs.

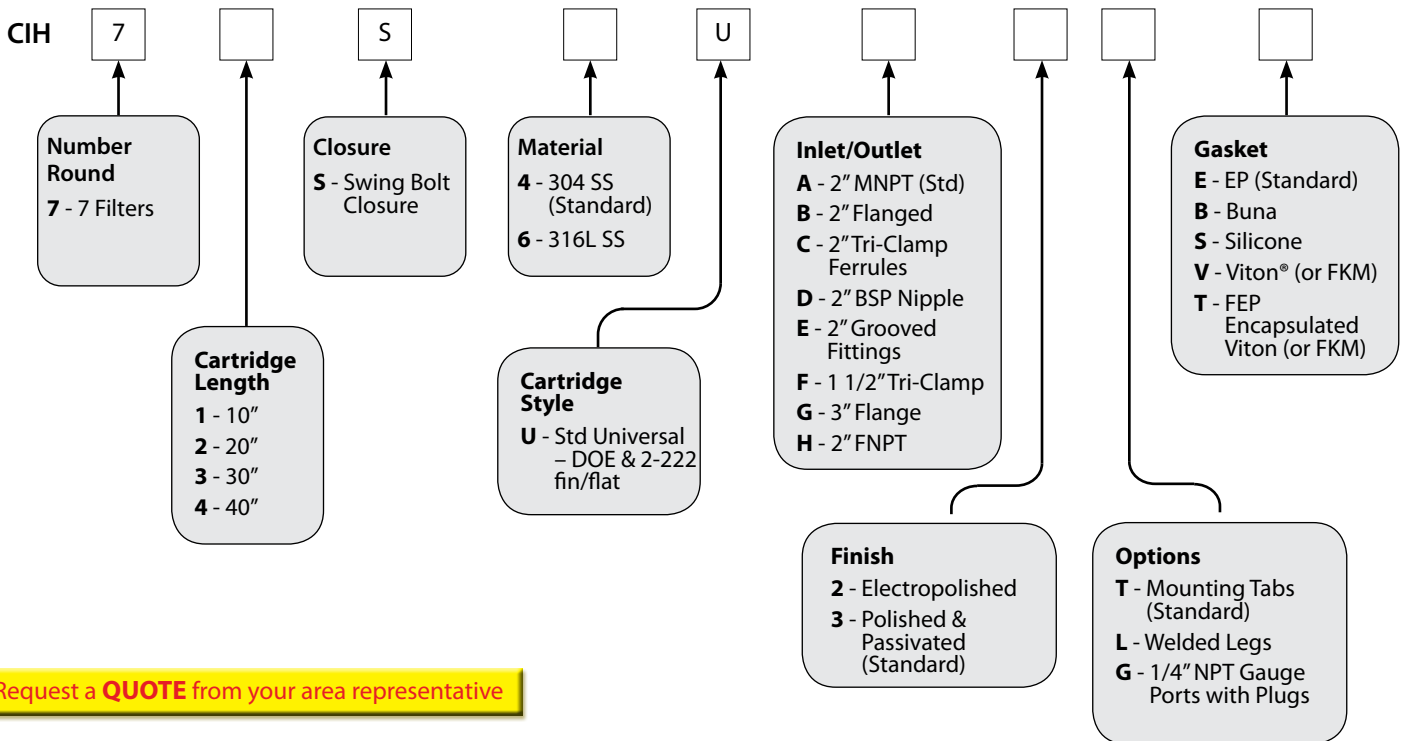


We Do It Right the First Time

We solve filtration challenges where filters are a critical part of your manufacturing process. Our Technical Team works with you to engineer filtration solutions that fit your needs. Then we manufacture the filters in our ISO 9001 certified facility and deliver them fast, so you have the right filters when you need them.

Ordering Information

The housing catalog number is made up of several variable characters i.e. number round, length, material, port size, gasket material and others below. For example: Industrial Filter Housing, 7-Round, for 30" Filter Cartridge Length, Swing Bolt Closure, 304 SS Construction, Universal Filter Connections, 2" MNPT Inlet/Outlet, Polished & Passivated Finish, Mounting Tabs, EP Gasket = CIH73S4UA3TE.



Request a **QUOTE** from your area representative



Critical Process Filtration, Inc.

One Chestnut Street • Nashua, NH 03060
Tel: 603.880.4420 • Fax: 603.880.4536

criticalprocess.com • sales@criticalprocess.com

The information contained herein is subject to change without notice.

The Critical Process Filtration logo is a trademark of Critical Process Filtration, Inc.

Viton is a trademark of DuPont Performance Elastomers L.L.C.

© 1998-2018 Critical Process Filtration, Inc. • All Rights Reserved • Data Sheet CIH7DS0112 RevA

This data is subject to change without notice. For the most current information, please visit our website.