

CSH Filter Housings

Multi Cartridge Sanitary Housings

CSH multi-cartridge sanitary housings are designed for high purity beverage, chemical and pharmaceutical applications. These T-style housings include mounting legs and have no internal threaded parts. They can hold 3, 6, 8, 12 or 21 rounds of filters of different lengths. CSH multi-cartridge housing sizes range from 10 through 40 inches.

Maximum Operating Parameters

Operating Pressure	150 psi (10 bar)
Operating Temperature	300 °F (149 °C)

Specifications

Housing	316 Stainless Steel (15RA finish)
Standard Sealing Gasket	FDA Silicone
O-Rings options	Silicone (std), EPDM, Viton or FKM, PTFE Encapsulated Silicone
Cartridge Seals	2-226 Standard 2-222 Optional
Vents & Drains	½" Sanitary
Gauge Port	1" Sanitary
Inlet/Outlet	3, 6, 8 rounds - 2" Sanitary 12 round - 3" Sanitary 21 round - 4" Sanitary
Mounting Legs - T-style	Yes
Maximum Cartridge Diameter	2 ¾"



CSH Series Multi Cartridge Sanitary Housings
Nominal Lengths – 10 in. to 40 in.

Vent & Drain Twist Valves



Hold Down Plate / Removable Tube Sheet

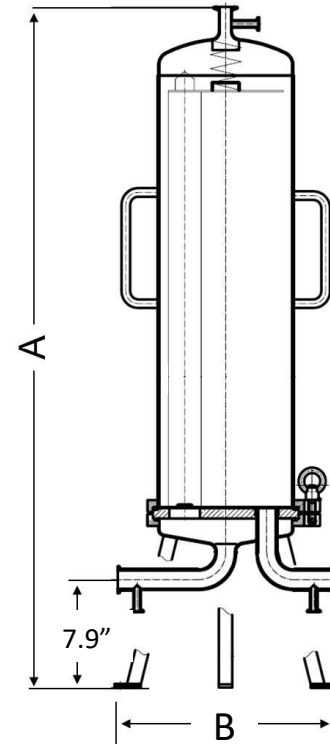


Dimensions

For planning purposes, detailed line drawings are available upon request.

CSH Multi Cartridge T-Style Housings

Model	Number of Cartridges	Nominal Cartridge Length	Overall Height (A)	Inlet/Outlet Length (B)
CSH31	3	10"	24.0"	14.17"
CSH32	3	20"	34.0"	14.17"
CSH33	3	30"	44.0"	14.17"
CSH34	3	40"	54.0"	14.17"
CSH62	6	20"	39.6"	15.75"
CSH63	6	30"	49.6"	15.75"
CSH64	6	40"	59.6"	15.75"
CSH83	8	30"	20.2"	17.72"
CSH84	8	40"	60.2"	17.72"
CSH123	12	30"	51.6"	19.69"
CSH124	12	40"	61.6"	19.69"
CSH213	21	30"	69.7"	23.6"
CSH214	21	40"	79.7"	23.6"



CSH Multi Cartridge Housing Ordering Information

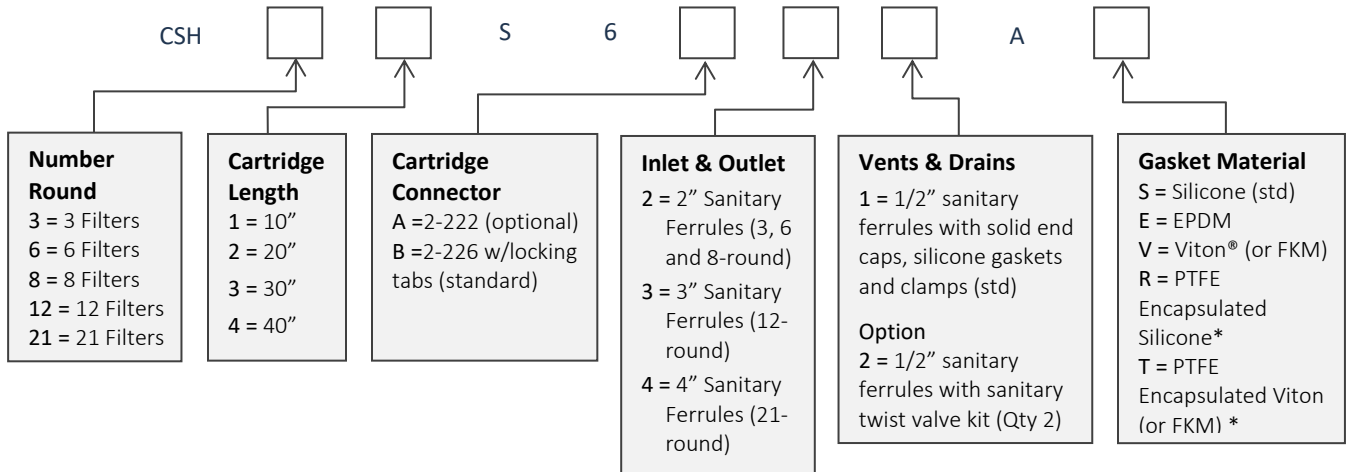
All Critical Process filter housings are configurable to meet customer specifications.

Fill in the corresponding code in the box below to build your Part Number.

To consult with one of our technical team members, request a quote or place an order:

call (603) 880-4220 Ext. 106, or send an email to sales@criticalprocess.com

CSH Single Cartridge Filter Housing



Critical Process provides unrivaled delivery times, technical consulting before purchasing, and very competitively priced high-performance products. Our comprehensive testing/analysis and validation services support your team whenever they need it. Your process experts partnering with our filtration experts is how we deliver your company's solution right the first time.



One Chestnut Street
 Nashua, NH 03060
 603.880.4420
 FAX: 603.880.4536
 CriticalProcess.com

The information contained herein is subject to change without notice. The Critical Process Filtration logo is a trademark of Critical Process Filtration, Inc. Viton is a trademark of DuPont Performance Elastomers L.L.C.
 © 2020 Critical Process Filtration, Inc. • All Rights Reserved