

# CSH Filter Housings

## Single Cartridge Sanitary Housings

CSH single cartridge housings are designed for high purity beverage, chemical and pharmaceutical applications. They are available in T-style or Inline configurations and have no internal threaded parts. Sizes range from 5 through 40 inches.



CSH Single Cartridge Sanitary Housings  
 Inline & T-Style  
 Nominal Lengths – 5 in. to 40 in.

### Maximum Operating Parameters

<b>Operating Pressure</b>	150 psi (10 bar)
<b>Operating Temperature</b>	300 °F (149 °C)

### Specifications

Applies to all model sizes

<b>Housing</b>	316 Stainless Steel (15RA finish)
<b>Standard Sealing Gasket</b>	FDA Silicone
<b>O-Rings options</b>	Silicone (std), EPDM, Viton or FKM, PTFE Encapsulated Silicone
<b>Cartridge Seals</b>	2-226 Standard 2-222 Optional
<b>Vents &amp; Drains</b>	½" Sanitary
<b>Gauge Port – T-style</b>	1 ½" Sanitary
<b>Inlet/Outlet – Inline</b>	1 ½" Sanitary
<b>Inlet/Outlet – T-style</b>	1" Sanitary
<b>Mounting Legs – T-style</b>	Yes
<b>Maximum Cartridge Diameter</b>	2 ¾"

### Vent & Drain Twist Valve Option



### HP (Bolt) Clamp Closure



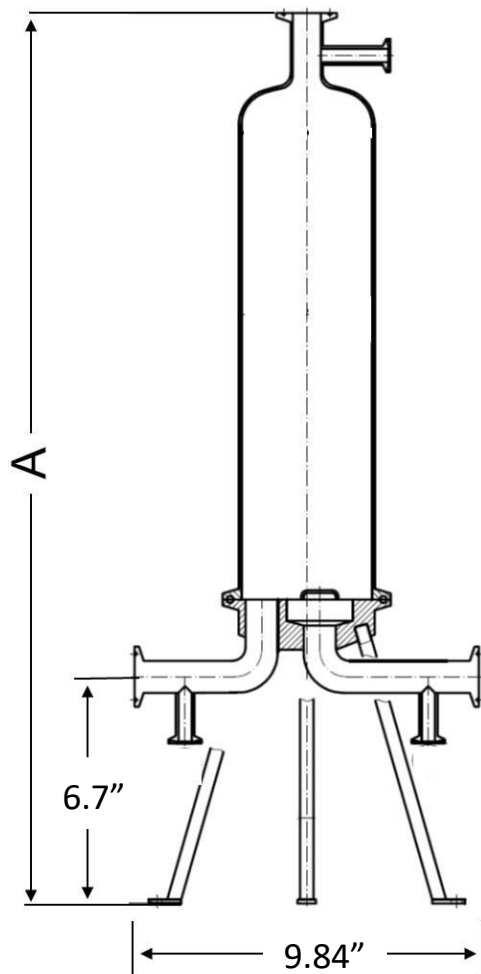
The HP (high pressure) style clamp closure is provided with PTFE encapsulated gaskets.

## Dimensions

For planning purposes, detailed line drawings are available upon request.

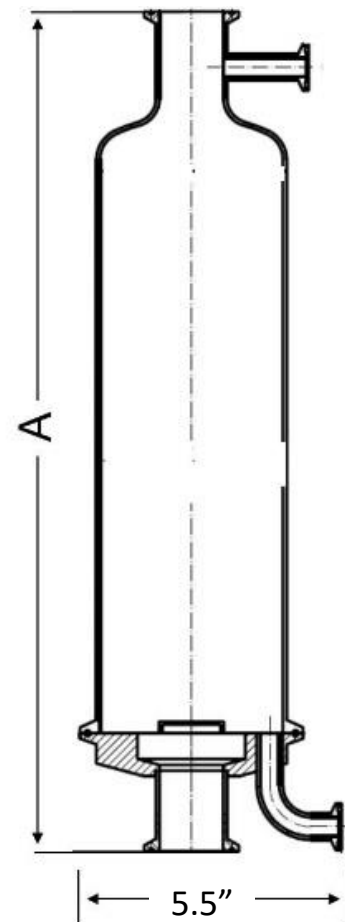
### CSH Single Cartridge T-Style Housings

Model	Nominal Cartridge Length	Overall Height (A)
CSHT5	5"	21.2"
CSHT1	10"	26.2"
CSHT2	20"	36.2"
CSHT3	30"	46.2"
CSHT4	40"	56.2"



### CSH Single Cartridge Inline Housings

Model	Nominal Cartridge Length	Overall Length (A)
CSHI5	5"	12.6"
CSHI1	10"	17.6"
CSHI2	20"	27.6"
CSHI3	30"	37.6"
CSHI4	40"	47.6"



## CSH Single Cartridge Housing Ordering Information

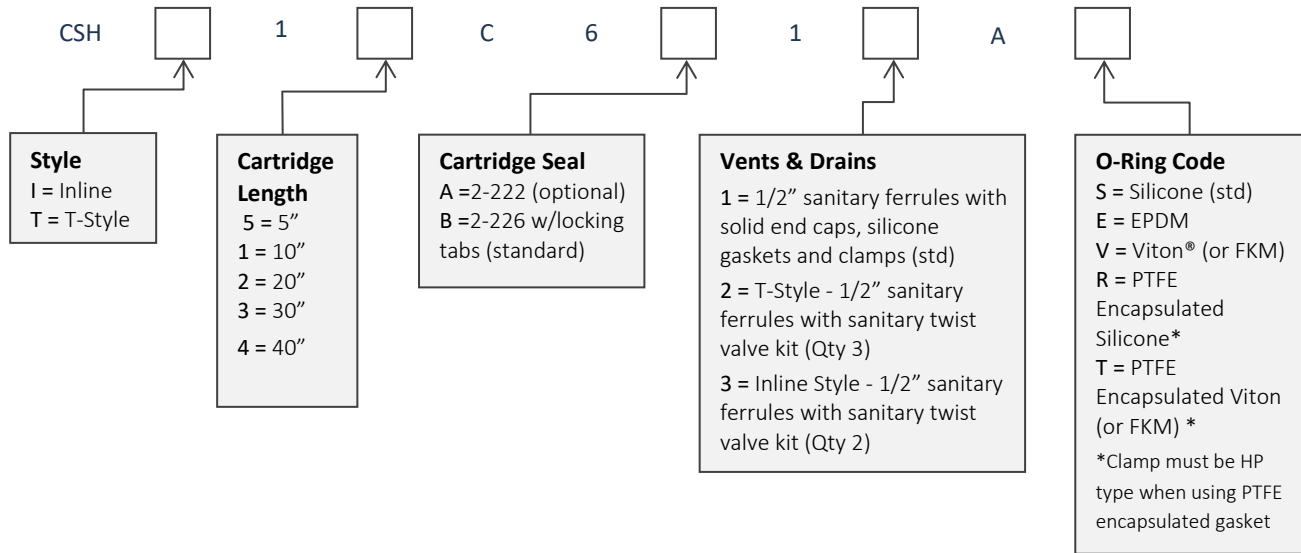
All Critical Process filter housings are configurable to meet customer specifications.

Fill in the corresponding code in the box below to build your Part Number.

To consult with one of our technical team members, request a quote or place an order:

call (603) 880-4220 Ext. 106, or send an email to [sales@criticalprocess.com](mailto:sales@criticalprocess.com)

### CSH Single Cartridge Filter Housing



Critical Process provides unrivaled delivery times, technical consulting before purchasing, and very competitively priced high-performance products. Our comprehensive testing/analysis and validation services support your team whenever they need it. Your process experts partnering with our filtration experts is how we deliver your company's solution right the first time.



One Chestnut Street  
 Nashua, NH 03060  
 603.880.4420  
 FAX: 603.880.4536  
 CriticalProcess.com

The information contained herein is subject to change without notice. The Critical Process Filtration logo is a trademark of Critical Process Filtration, Inc. Viton is a trademark of DuPont Performance Elastomers L.L.C.  
 © 2020 Critical Process Filtration, Inc. • All Rights Reserved

Data Sheet CSHSingleDS Rev-