

GGD Mini-Capsule Filters

Pleated Fiberglass Depth Media



GGD Mini-Capsule filters are part of Critical Process Filtration's economical, general service product line that can be used to lower the total cost of filtration from simple to the most complex applications. Produced using the same quality materials and manufacturing excellence as our other product lines, you can be assured of their performance, dependability and scalability. While general service filters are not integrity tested or validated for retention, these highly efficient filters remove large amounts of contaminants early in the process to reduce the load on your expensive downstream filters. They are also useful as stand-alone clarifying or particle removal filters in less critical applications.

GGD Mini-Capsule filters are constructed with fiberglass depth media for clarification and prefiltration of liquids and gases. Pore sizes range from 0.22 to 10 μm . These filters are capable of retaining large amounts of particulates and contaminants which translates to longer filter life and lower costs.

Critical Process provides unrivaled delivery times, technical consulting before purchasing, and very competitively priced high-performance products. Our comprehensive testing & analysis and validation services support your team whenever they need it. Your process experts partnering with our filtration experts is how we deliver your company's solution right the first time.

Clarification & Prefiltration

Particle Filtration

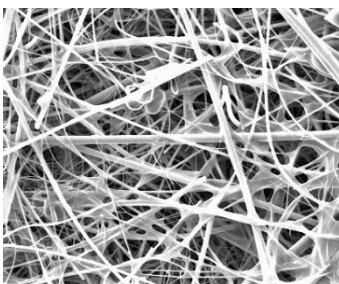


MINI-CAPSULES – Nominal Dimensions

Body Length: 2.85 in. (7.2 cm)

Overall Length – 3.75 to 5.19 in. (9.5 to 13.2 cm)

Outside Diameter: 2.95 in. (7.5 cm)



GGD Mini-Capsule filters are recommended for the clarification & prefiltration of:

- Chemicals
- Acids & Bases
- Inks & Dyes
- Process Water
- Air & Gases

Maximum Operating Parameters

MINI-CAPSULES	
Liquid Operational Pressure	80 psi at 68 °F (5.52 bard at 20 °C)
Gases Operational Pressure	60 psi at 68 °F (4.14 bar at 20 °C)
Operating Temperature (water)	110 °F at 30 psid (43 °C at 2.07 bard)
Forward Differential Pressure	50 psid at 68 °F (3.45 bard at 20 °C)
Reverse Differential Pressure	40 psid at 68 °F (2.76 bard at 20 °C)
Recommended Changeout Pressure	35 psid (2.41 bard)

Sanitization & Sterilization

Autoclave	250 °F (121 °C), 30 min, 5+ cycles
Chemical Sanitization	Performed using industry standard concentrations of hydrogen peroxide, peracetic acid, sodium hypochlorite and other selected chemicals.

Construction Materials

Filtration Media	Pleated Fiberglass Depth Media
Media Support	Polyester
End Caps, Center Core, Outer Support Cage, Mini-Capsule Housing	Polypropylene
Sealing Method	Thermal Bonding

Filtration Area (Nominal)

Pleated Depth Media	
Area	0.41 ft ²
	381 cm ²

Extractables

GGD Mini-Capsule filters typically exhibit low levels of non-volatile residues.

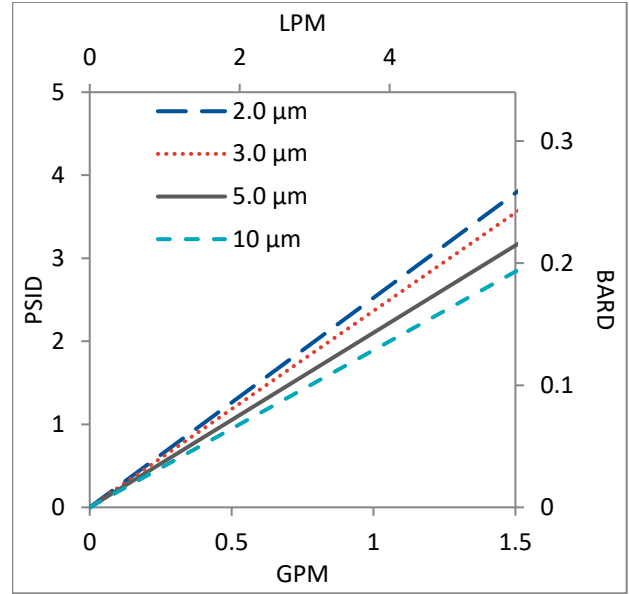
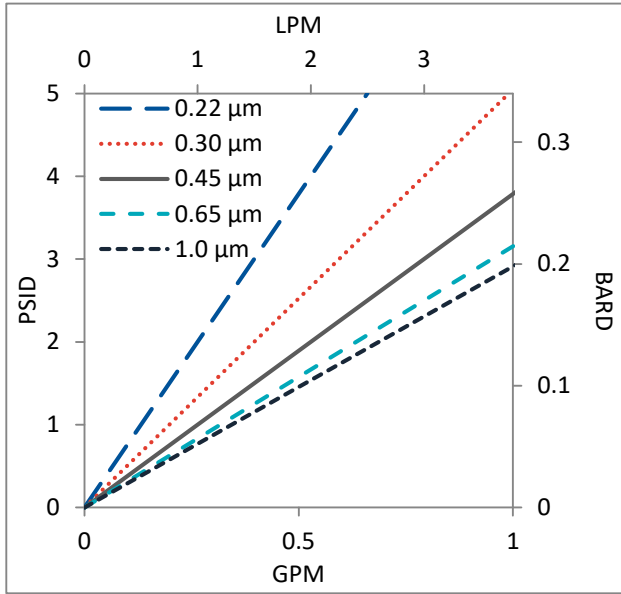
Non-Fiber Releasing

The GGD Mini-Capsule filters comply with Title 21 CFR sections 210.3 (b)(6) and 211.72, for non-fiber releasing filters.

FDA and EC Compliance

Materials meet the requirements listed by the FDA as appropriate for use in articles intended for repeated food contact as specified in Title 21 CFR sections 174.5, 177.1500, 177.1520, 177.1630, 177.2440, and 177.2600 as applicable. All materials used to make the filters are listed in European Commission Regulation EU/10/2011, Annex 1.

Flow Rates for GGD Mini-Capsules by Pore Size



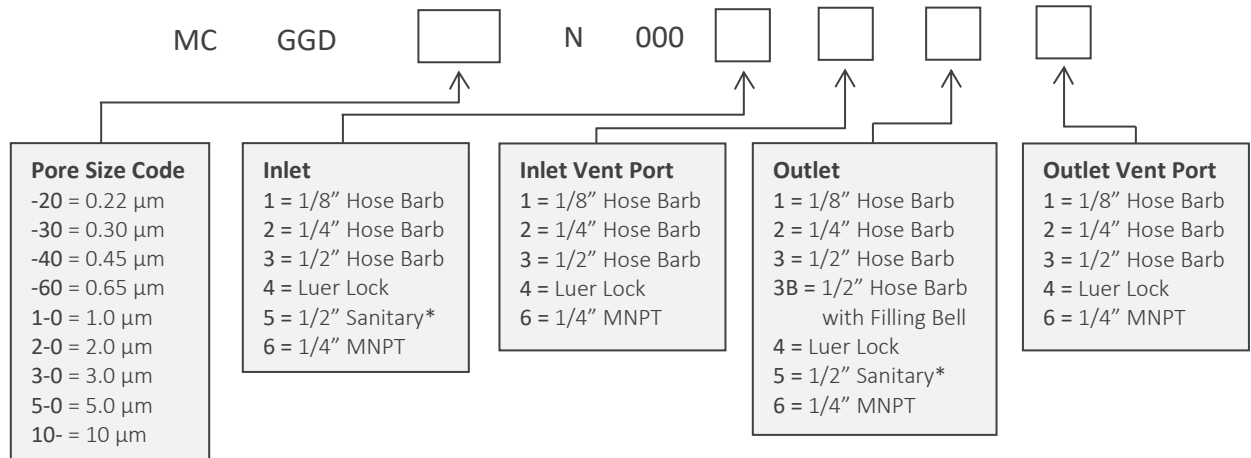
Flow rates for Mini-Capsule filters are per filter. The test fluid is water at ambient temperature. Flows are tested using a mini-capsule filter with ½" Sanitary inlet and outlet ports. Rates will vary based on end configuration of the mini-capsule.

GGD Mini-Capsule Filters Ordering Information

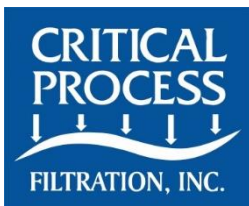
All Critical Process filters are configurable to meet customer specifications.
Fill in the corresponding codes in the boxes below to build your Part Number.

To consult with one of our technical team members, request a quote or place an order:
call (603) 880-4420 Ext. 106, or send an email to sales@criticalprocess.com

Mini-Capsule Filters



*When choosing the Sanitary Inlet/Outlet, the Luer Lock option is required for the Vent Port



One Chestnut Street
 Nashua, NH 03060
 603.880.4420
 FAX: 603.880.4536
 CriticalProcess.com

The information contained herein is subject to change without notice. The Critical Process Filtration logo is a trademark of Critical Process Filtration, Inc. Viton is a trademark of DuPont Performance Elastomers L.L.C.
 © 2021 Critical Process Filtration, Inc. • All Rights Reserved

Data Sheet GGDMiniDS Rev-