

GPD Mini-Capsule Filters

Pleated Polypropylene Depth Media



- 99.9% efficient at the rated pore size
- Protect critical membrane filters downstream
- Wide range of high efficiency retention ratings
- High capacity for long life

Applications

- ◆ Process Water
- ◆ Chemicals
- ◆ Inks & Dyes
- ◆ Cosmetics
- ◆ Acids & Bases

GPD mini-capsules are made with polypropylene microfiber media. Designed with the maximum filtration area, the filters can remove large amounts of particulate and other contaminants over a long filter life. GPD mini-capsules protect critical membrane filters downstream by removing 99.9% of contaminants at the rated pore size.

Small-scale applications for GPD mini-capsule filters include removal of particulate contaminants from water, inks, dyes and specialty chemicals. When used in final filtration systems, the filters protect the high-value membrane filters used downstream. Polypropylene depth media capsule filters are rinsed during production to remove manufacturing debris from the capsules.

GPD Mini-Capsule Filters - Dimensions*

| Diameter | Length | Filtration Area* |
|---------------|---|--|
| 75 mm (2.95") | Body Length = 2.85" (72.4mm) Overall Length = 3.75" to 5.19" (Varies with Choice of Inlet/Outlet) | 500 cm ² (0.5 ft ²) (nominal) |

*Average – Filtration area varies with media thickness and porosity.

Flow Rates

The following table represents typical water flow at a one psi (69 mbar) pressure differential through a mini-capsule filter with 500 cm² (0.54 ft²) of media and 1/4" hose barb inlet and outlet ports. The test fluid is water at ambient temperature. Higher pressure drops are acceptable, but as flows increase the pressure drop of the housing becomes more apparent.

| Pore Size | 0.10 μm | 0.22 μm | 0.45 μm | 0.65 μm | 1 μm | 3 μm | 5 μm | 10 μm | 20 μm | 30 μm | 40 μm | 60 μm | 100 μm |
|------------|---------|---------|---------|---------|------|------|------|-------|-------|-------|-------|-------|--------|
| GPM | 0.04 | 0.13 | 0.21 | 0.26 | 0.32 | 0.37 | 0.42 | 0.48 | 0.53 | 0.58 | 0.63 | 1.00 | 1.03 |
| LPM | 0.15 | 0.50 | 0.80 | 1.0 | 1.2 | 1.4 | 1.6 | 1.8 | 2.0 | 2.2 | 2.4 | 3.8 | 3.9 |

Construction Materials

| | |
|---------------------------|-----------------------------------|
| Housing | Polypropylene |
| Filtration Media | Pleated Polypropylene Depth Media |
| Media Support | Polypropylene |
| End Caps | Polypropylene |
| Center Core | Polypropylene |
| Outer Support Cage | Polypropylene |
| Sealing Method | Thermal Bonding |

Maximum Operating Parameters

| | |
|---------------------------------------|---|
| Liquid Operational Pressure | 80 psi (5.5 bar) at 20 °C (68 °F) |
| Gases Operational Pressure | 60 psi (4.1 bar) at 20 °C (68 °F) |
| Operating Temperature | 43 °C (110 °F) at 30 psi (2.1 bar) in water |
| Forward Differential Pressure | 50 psid (3.4 bard) at 20 °C (68 °F) |
| Reverse Differential Pressure | 40 psid (2.7 bard) at 20 °C (68 °F) |
| Recommended Changeout Pressure | 35 psid (2.4 bard) |

Sanitization/Sterilization

Autoclave.....250° F (121° C), 30 min, 5+ cycles

Chemical Sanitization Industry standard concentrations of hydrogen peroxide, paracetic acid, sodium hypochlorite and other selected chemicals.

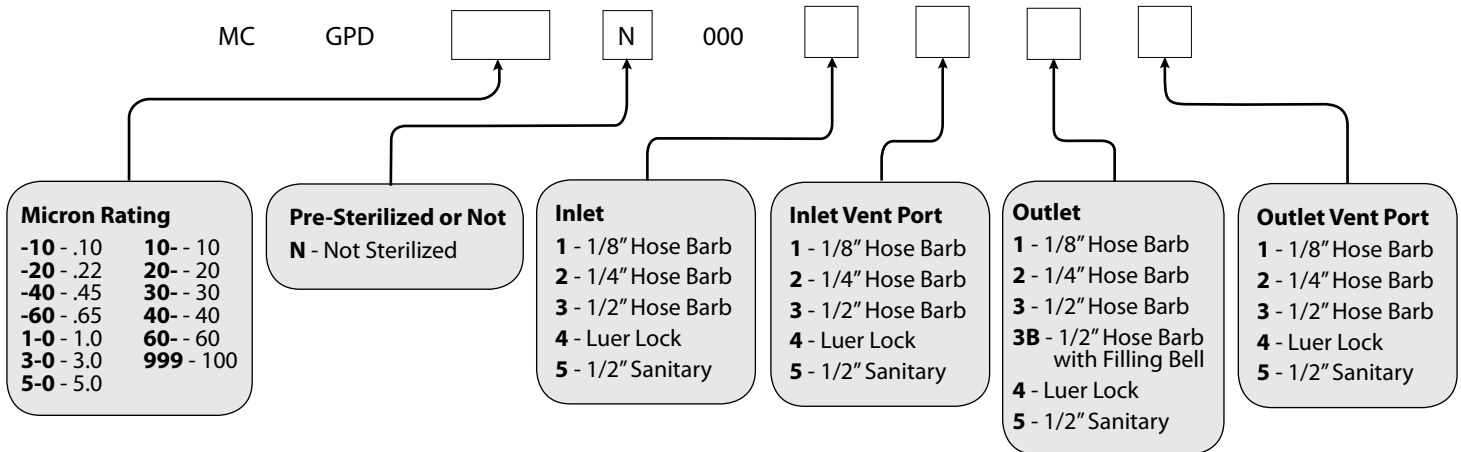
NoteGPD mini-capsules are not suitable for inline steam sterilization.

FDA and EC Compliance

All Critical Process Filtration mini-capsule filters are designed to meet the FDA requirements for processing food and beverage products. The materials used to construct GPD mini-capsule filters are listed by the FDA as appropriate for use in articles intended for repeated food contact as specified in Title 21 CFR sections 174.5, 177.1500, 177.1520, 177.1630, 177.2440 and 177.2600 as appropriate. The filters comply with Title 21 CFR sections 210.3 (b)(6) and 211.72, for non-fiber releasing filters. All materials used to make the filters are listed in European Commission Regulation EU/10/2011, Annex 1.

Ordering Information

Mini-Capsule order number example: General Service Grade Pleated Polypropylene Depth Media, 0.45 Micron Rating, Non-Sterile, 1/2" Hose Barb Inlet, Luer Lock Inlet Vent Port, 1/2" Hose Barb Outlet, Luer Lock Outlet Vent Port = MCGPD-40N0003434.



Request a **QUOTE** from your area representative



Critical Process Filtration, Inc.

One Chestnut Street • Nashua, NH 03060
Tel: 603.880.4420 • Fax: 603.880.4536

criticalprocess.com • sales@criticalprocess.com

The information contained herein is subject to change without notice.
The Critical Process Filtration logo is a trademark of Critical Process Filtration, Inc.
Viton is a trademark of DuPont Performance Elastomers L.L.C.
© 1998-2020 Critical Process Filtration, Inc. • All Rights Reserved • Data Sheet MCGPDDS0319 RevA

Extractables

GPD mini-capsule filters exhibit low levels of non-volatile residues.

Quality Assurance and Standards

Critical Process Filtration filters are designed for use in cGMP-compliant processes. Our state of the art manufacturing facility and quality management system are certified to meet ISO 9001 standards. Each operation from assembly and test to cleaning, drying, and packaging is done in appropriately rated clean rooms. Each filter is assigned a lot code and serial number to ensure the traceability of manufacturing data and materials. A sophisticated MRP system collects and processes real time data from manufacturing centers and inspection points, allowing quick and easy analysis driving constant improvements in quality.

We Do It Right the First Time

We solve filtration challenges where filters are a critical part of your manufacturing process. Our Technical Team works with you to engineer filtration solutions that fit your needs. Then we manufacture the filters in our ISO 9001 certified facility and deliver them fast, so you have the right filters when you need them.